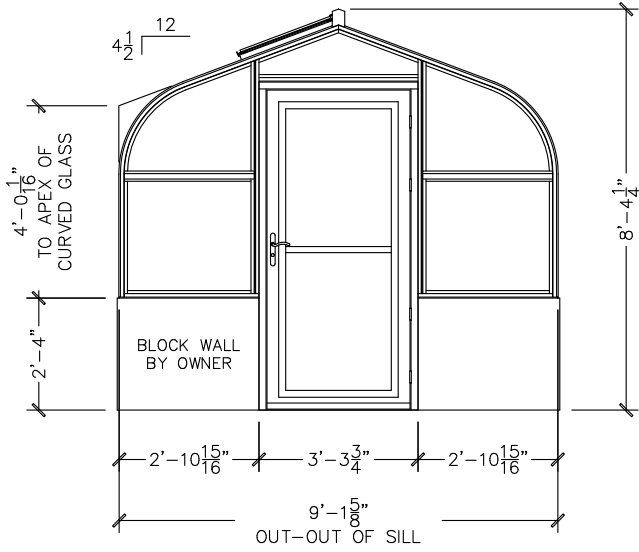


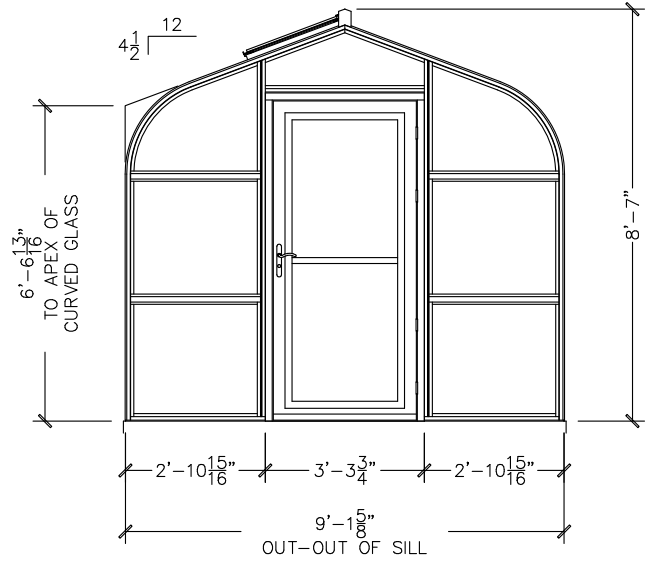


NATIONAL
GREENHOUSE CO.®

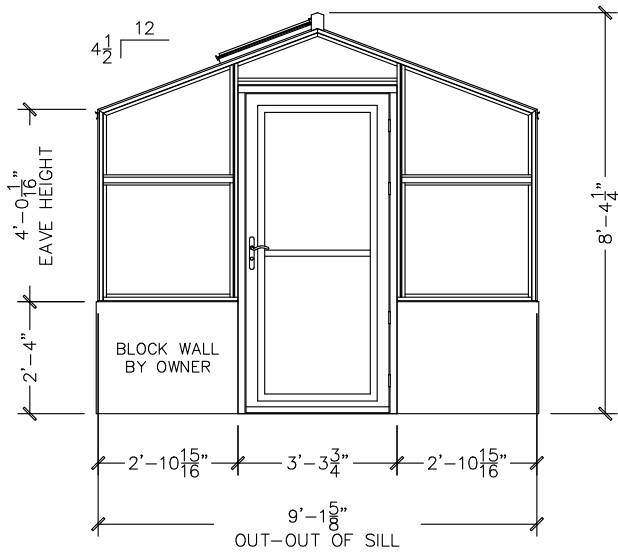
A DIVISION OF NEXUS CORPORATION



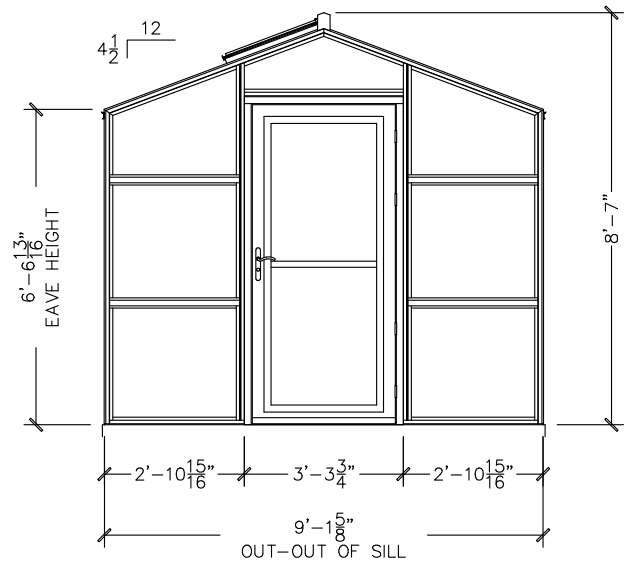
CT9FW



CT9FG



ST9FW

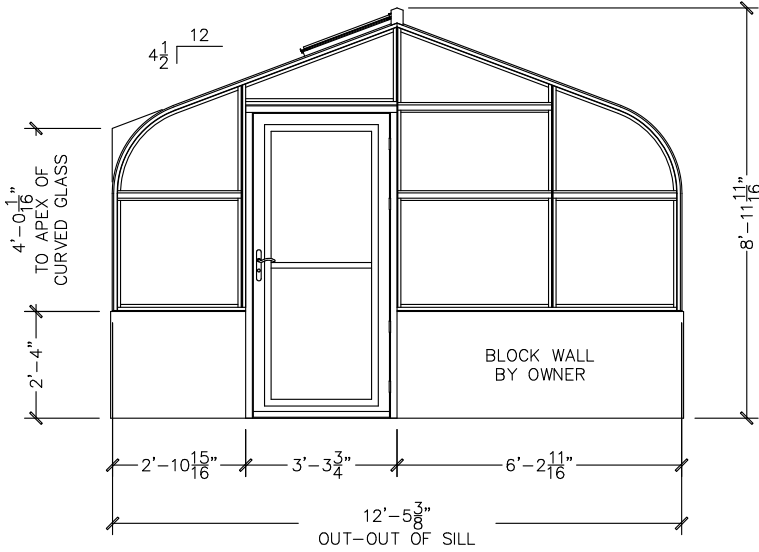


ST9FG

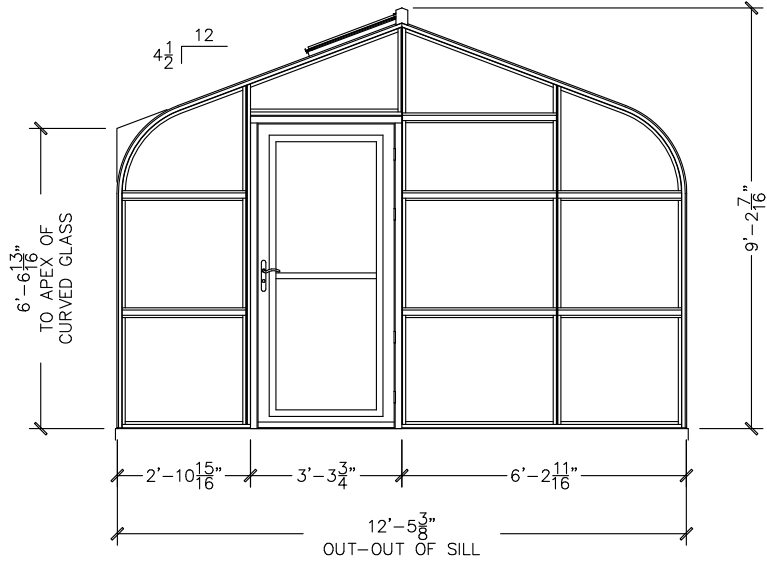


**NATIONAL
GREENHOUSE CO.®**

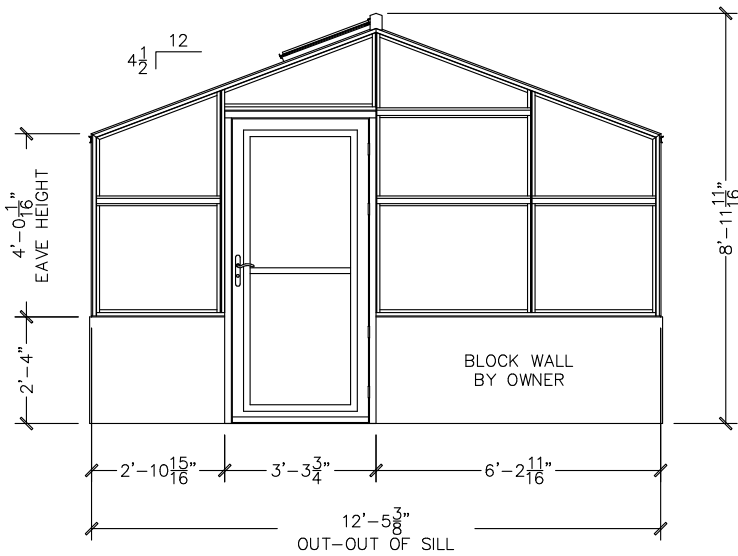
A DIVISION OF NEXUS CORPORATION



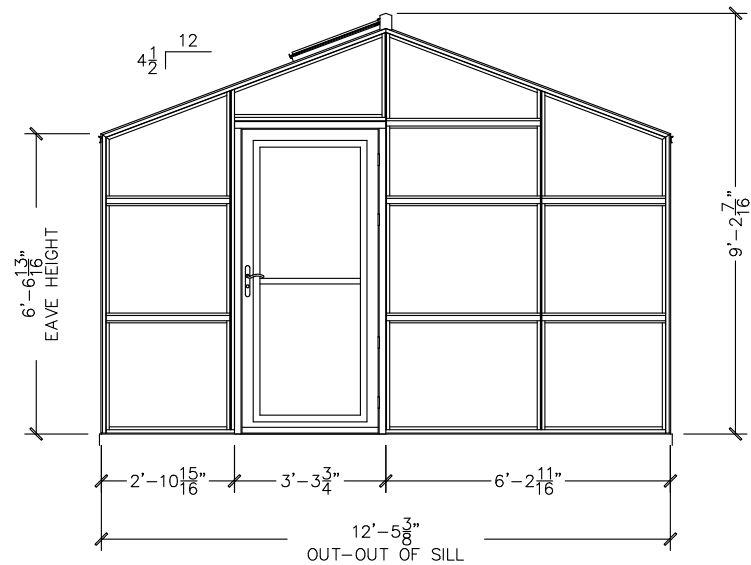
CT12FW



CT12FG



ST12FW

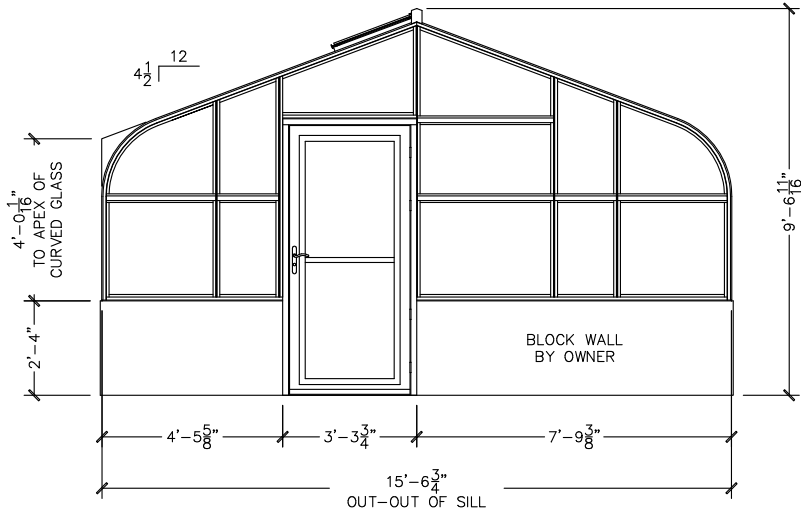


ST12FG

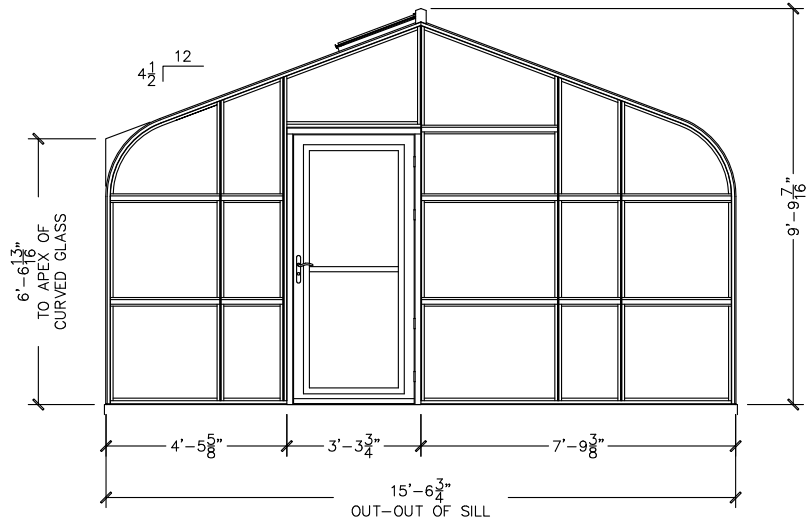


**NATIONAL
GREENHOUSE CO.®**

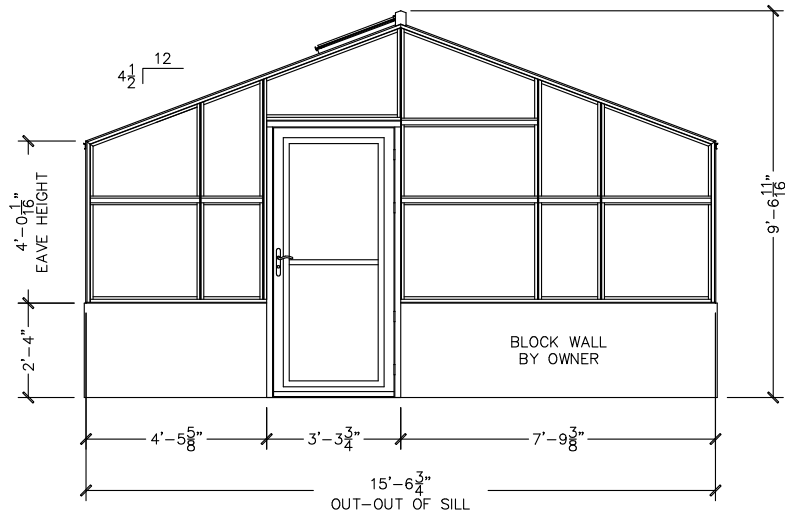
A DIVISION OF NEXUS CORPORATION



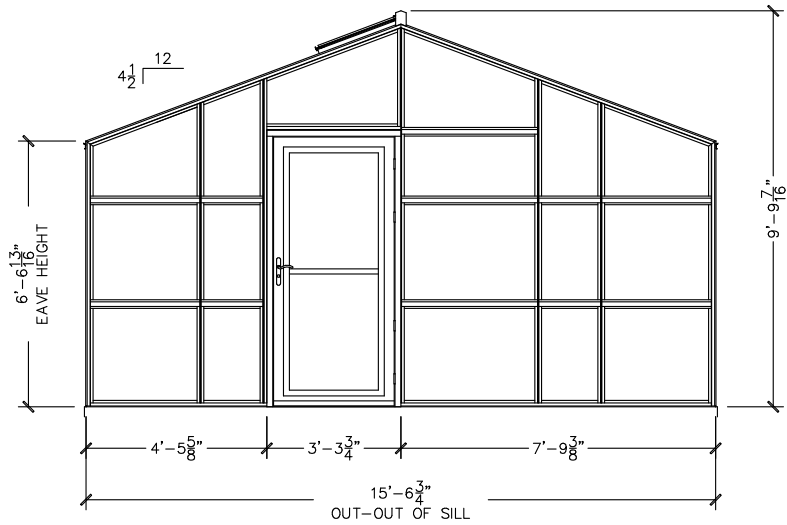
CT16FW



CT16FG



ST16FW

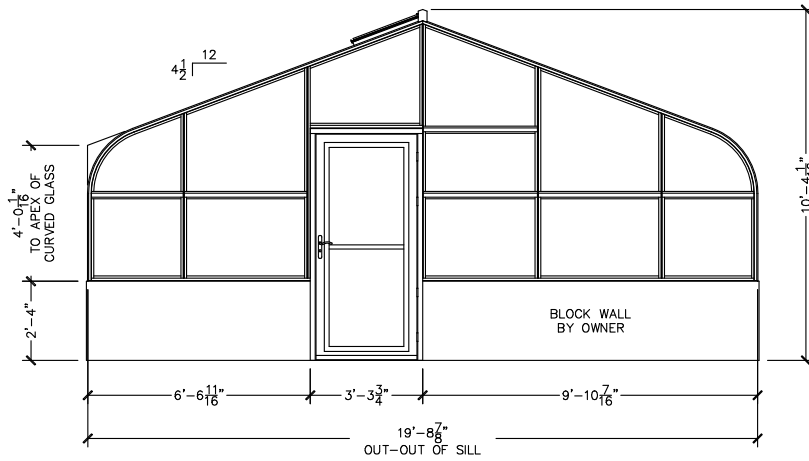


ST16FG

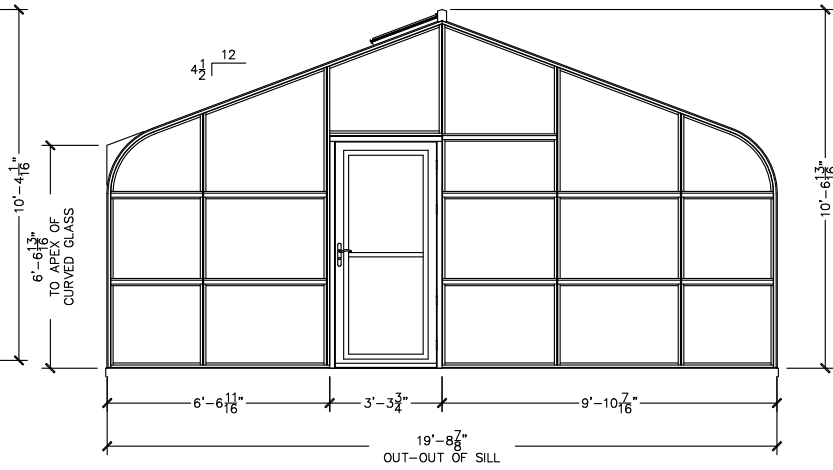


**NATIONAL
GREENHOUSE CO.®**

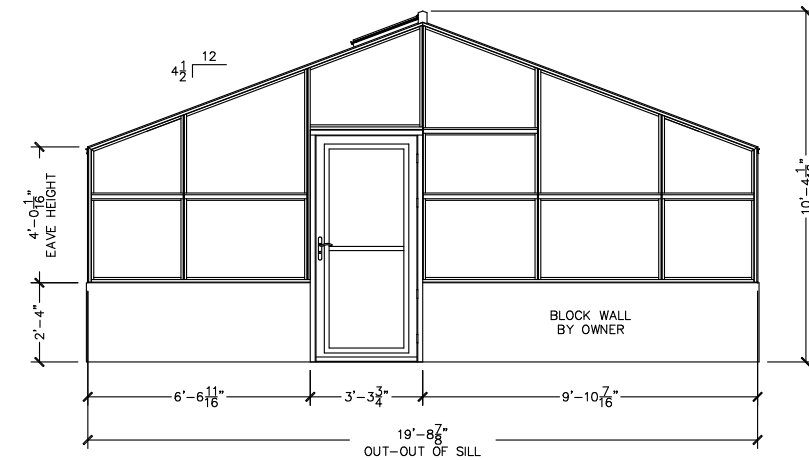
A DIVISION OF NEXUS CORPORATION



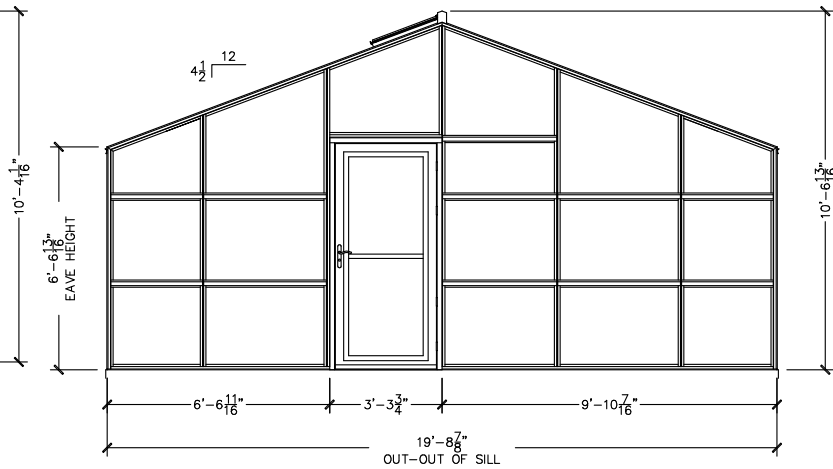
CT20FW



CT20FG



ST20FW



ST20FG

STANDARD MODEL DIMENSIONS

1/25/2006

<u>GABLE ENDS</u>	<u>LENGTHS</u>	4	5	6	7	8	9	10
		LITES	LITES	LITES	LITES	LITES	LITES	LITES
	OUT TO OUT DIMENSIONS							
TWO GABLE ENDS	FOUNDATION	10'-7"	13'-1 1/2"	15'-8"	18'-2 1/2"	20'-9"	23'-3 1/2"	25'-10"
	SILL	10'-6"	13'-0 1/2"	15'-7"	18'-1 1/2"	20'-8"	23'-2 1/2"	25'-9"
ONE GABLE END ONE ATTACHED END	FOUNDATION	10'-6 5/8"	13'-1 1/8"	15'-7 5/8"	18'-2 1/8"	20'-8 5/8"	23'-3 1/8"	25'-9 5/8"
	SILL	10'-6 1/8"	13'-0 5/8"	15'-7 1/8"	18'-1 5/8"	20'-8 1/8"	23'-2 5/8"	25'-9 1/8"
BOTH ENDS ATTACHED	FOUNDATION	10'-6 1/4"	13'-0 3/4"	15'-7 1/4"	18'-1 3/4"	20'-8 1/4"	23'-2 3/4"	25'-9 1/4"
	SILL	10'-6 1/4"	13'-0 3/4"	15'-7 1/4"	18'-1 3/4"	20'-8 1/4"	23'-2 3/4"	25'-9 1/4"

<u>WIDTHS</u>	LEAN-TO				FREESTANDING			
	CT/ST	CT/ST	CT/ST	CT/ST	CT/ST	CT/ST	CT/ST	CT/ST
OUT TO OUT DIMENSIONS	6	8	10	12	9	12	16	20
FOUNDATION	6'-3 3/16"	7'-9 7/8"	9'-10 15/16"	12'-0"	9'-2 5/8"	12'-6 3/8"	15'-7 3/4"	19'-9 7/8"
SILL	6'-2 11/16"	7'-9 3/8"	9'-10 7/16"	11'-11 1/2"	9'-1 5/8"	12'-5 3/8"	15'-6 3/4"	19'-8 7/8"